



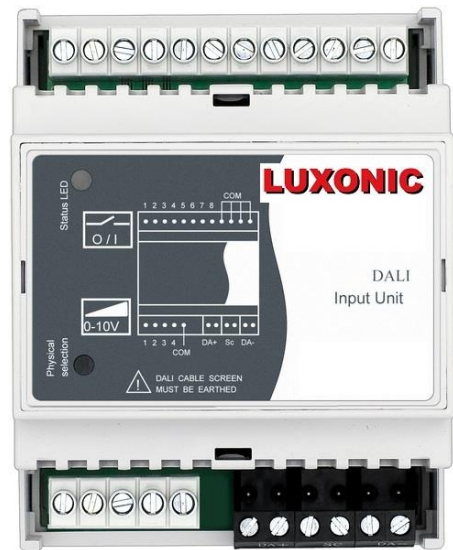
Luxlink® Ethernet2dali Input Unit

Part Number – Link/E2daliIU

The Luxlink Ethernet2dali Input Unit is a din-rail mounted, panel based unit normally installed at the electrical distribution cupboard. The product offers 8-addressable volt-free switch inputs and 4 0-10V analogue inputs for controlling Luxlink DALI HF ballast and load interfaces designed to the DALI open standard protocol as part of a Luxlink Ethernet2dali Lighting Management System. This product is suitable for use with a Luxlink Roof mounted sensor for daylight dependent control logic. This Input Unit offers the full Luxlink DALI functionality options to include On, Off, "Go To Scene", "Touch" control for push-to-make switching & dimming and much more

Product Features and Connectivity:

- 8-Programmable volt-free inputs
- Out of box default settings
 - Switch 1 Recall Scene 1
 - Switch 2 Recall Scene 2
 - Switch 3 Recall Scene 3
 - Switch 4 Recall Scene 4
 - Switch 5 Raise Light Level
 - Switch 6 Lower Light Level
 - Switch 7 Maximum Light Level
 - Switch 8 Off
- Mode of operation status switch physical mode selection switch
- Can be used with push-to-make or latching switches
- 4-Programmable 0-10V analogue Inputs
- Programmable via Luxlink Ethernet2dali Software
- Din-rail mounted



Installation Notes:

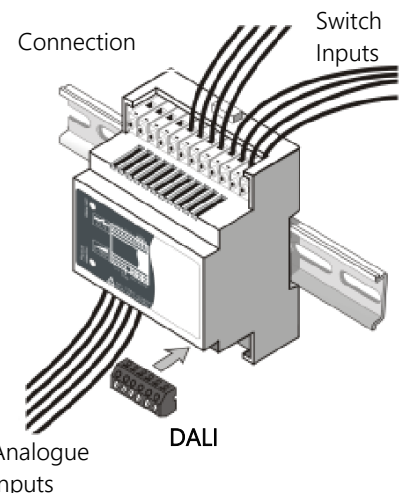
- The screen (SC) connection on this unit must be connected to earth to ensure correct operation
- No more than 50m of cable should be used between the actuating switch and the input to the unit

Application:

This product is ideal for interfacing 3rd party volt-free devices such as time clocks, audio-visual or BMS equipment relays (such as fire alarm and generator panels), 3rd party switch plates with up to 8-buttons and volt-free on/off photo-cells. This product is ideal for use with Luxlink's roof mounted light sensor

Family Products (Distribution cupboard based):

Link/E2daliIF	Luxlink Ethernet2dali Interface, Din Rail Mounted
Link/DaliRM	Luxlink DALI 4-Output Relay Module, Din Rail Mounted
Link/DaliDSI/1-10	Luxlink DALI to DSI /1-10V Converter, Din Rail Mounted
Link/DaliBC	Luxlink DALI Blind Controller, Din Rail Mounted
Link/DaliSolaC	Luxlink DALI Solatube Controller, Din Rail Mounted



Custom made panels to include 3-phase isolator, switchgear, contactors and the above products can be custom built to order

Data subject to change without notice, E & OE, Revision D – 13/03/2016



Luxlink® Ethernet2dali Input Unit

Part Number – Link/E2daliIU

Technical Data

Voltage-free Switched Inputs

O/I Connections: 1-8 Inputs (active low)
COM Input Ground

Voltage Pins 1-8: 5V nominal with switch open, must be less than 2V switch closed

Overload Protection: ±35V
Short-circuit Current: 0.5mA Max.
Debounce Period: 50ms

Analogue Inputs

0-10V Connections: 1-4 Inputs
COM Input Ground

Input Range: 0-10V

Overload Protection: ±15V
Input Impedance: 7.5 kilohm
Setting Time: 10ms
Response Time: 50ms

Connection

DALI: Standard Luxlink DALI removable connector with paired terminals 0.5mm² – 2.5mm² solid or stranded
Inputs: Up to 4mm² solid core or up to 2.5mm² stranded
Maximum cable length should not exceed 50m on each input

Power

Power Supply: Powered from the DALI Bus
DALI Consumption: 10mA

Operating Conditions

Ambient Temp: 0...40°C
Relative Humidity: 90% Max. non-condensing
Storage Temp: -10...+70 °C

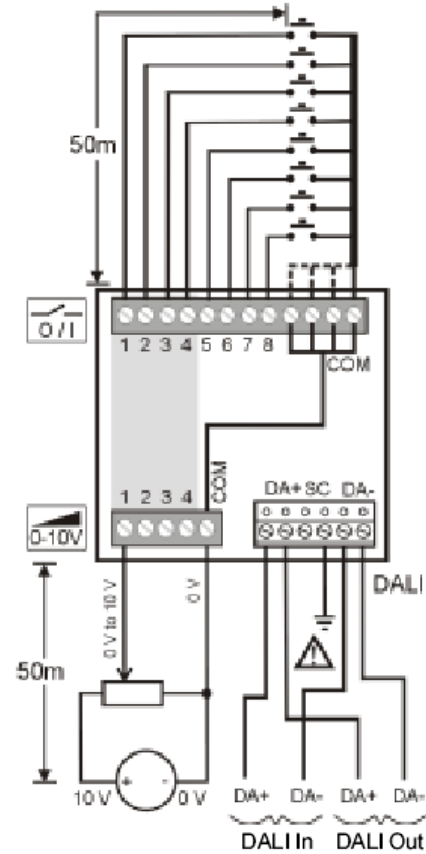
Mechanical Data

Housing: Din-rail case 70mm wide
Weight: 110g

Conformity

EMC: Emission EN55015, Immunity EN61547
Safety: EN60950
IP Rating: IP30
Isolation: 4kV

Connections



Dimensions

