



Luxlink[®] Ethernet2dali External Light Sensor

Part Number – Link/E2daliELS

The Luxlink Ethernet2dali External Light Sensor is a wall mounted, IP65, DALI network based Photo-cell device for measuring daylight levels. When used in conjunction with a Luxlink Ethernet2dali Lighting Control system this device can be used to change internal building light levels for constant light control for providing energy savings to multiple lighting groups or zones controlled by PIR's, switches or time scheduling.

Each lighting control group or zone is profiled to understand how much available daylight is contributing to the zones light level. When daylight is good the power being delivered to the lighting is reduced to maintain an approximate constant light level and vice-versa when daylight levels drop off.

When connected to a DALI network this sensor becomes an integral part of the Lighting Control System.

Product Features and Connectivity:

- Vertical wall mounted
- Waterproof
- Easily connected to and powered from the nearest local DALI network
- Measures light in the range 1 - 100,000 Lux
- Can control loads anywhere in a building complex
- Enables Constant Light Control for energy saving in large open spaces
- Open loop control of internally lit spaces
- 360° Light sensing, 85° from the vertical
- Factory calibrated for scaled output (0-200) and sensitivity
- No adjustment required

Cabling must be mains rated

Do not install sensor at the highest point of the building where it would be susceptible to lightning strikes



Application:

This product is ideally suited for warehouse and retail applications where internally lit spaces benefit from daylight penetration through roof skylights. Architectural lighting can also be controlled dependent on the amount of daylight available as an alternative to astronomic time control. This product can also be used for advanced applications in offices where the position and angle of the sun is important.

Family Products:

Link/E2daliIF	Luxlink Ethernet2dali Interface, Din Rail Mounted
Link/DaliRM	Luxlink DALI 4-Output Relay Module, Din Rail Mounted
Link/DaliDSI/1-10	Luxlink DALI to DSI /1-10V Converter, Din Rail Mounted
Link/DaliBC	Luxlink DALI Blind Controller, Din Rail Mounted
Link/DaliSolaC	Luxlink DALI Solatube Controller, Din Rail Mounted
Link/DaliSSmk2	Luxlink DALI Passive Infra Red Switching Sensor – Ceiling Mounted
Link/DaliCMMW	Luxlink DALI Microwave Switching Sensor – Ceiling Mounted
Link/DaliTCMMW	Luxlink DALI Long Range Tilting Microwave Switching Sensor – Ceiling Mounted
Link/DaliHBS	Luxlink DALI High Bay Switching Sensor
Link/E2daliRS	Luxlink Ethernet2dali Roof Sensor

Data subject to change without notice, E & OE, Revision B – 01/04/2016



Luxlink[®] Ethernet2dali External Light Sensor Part Number – Link/E2daliELS

Technical Data

Connection

Power: Terminals 1.0mm² – 2.5mm² solid or stranded
 Power Cable Length: 300m (Max. DALI network length for 1.5mm²)
 Connector Type: Screw terminals
 N: Dali +
 L0: Dali –
 L1: No Connection

Power

Input Voltage: 13-22V Powered from the DALI network
 DALI consumption: 10mA

Operating Conditions

Ambient Temp: -35°C....70°C
 Storage Temp: -35°C....70°C
 Relative Humidity: Max. 90%, non-condensing

Mechanical Data

Housing: Base & Mounting Bracket - Black ABS
 Socket & Sensor Assy – Black glass filled Nylon
 Sensor Cover – Toughened Acrylic (UV Stabilised)
 Dimension: 82mm (W) x 87mm (D) x 148mm (H)
 IP Rating: IP65
 Weight: 250g

Sensor

Element: Photodiode matched to hman eye response
 Acceptance Angle: Up to 85° from vertical, through 360 ° horizontally
 Light level reading: 0 – 200
 Light Range: 1 – 100,000 lux

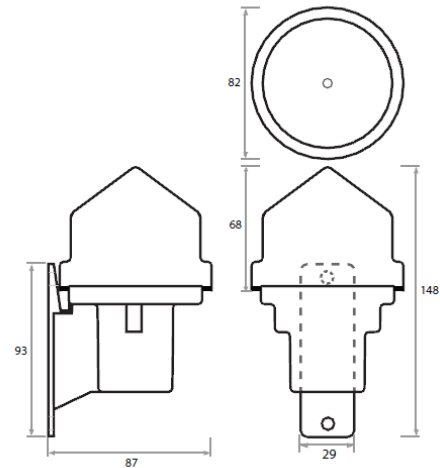
Mounting

Mounting Angle: Vertical, clear sensor head uppermost
 Mounting Points: 2 x M4/No.8 wood screws

Confomity:

EMC; Emissions: EN 55015
 Immunity: EN 61547
 Safety: EN 60950
 Environment: Complies with WEEE and RoHS directives

Dimensions (mm)



Fixing Centres

