



LUXLINK[®] DALI Tilting Microwave Sensor

Part Number – Link/DaliTCMMW

The Luxlink DALI Tilting ceiling mounted microwave sensor is a long range Sensor with an Active Infra-Red Receiver for local setting up and hand held control purposes only. The sensor can be configured for fully automatic Presence or semi automatic Absence detection via Luxonic's Ethernet2dali or Toolbox software packages.

This sensor can switch On the lighting to any desired level and timeout in 2-phases as is normal with the afore mentioned software tools. The sensor connects directly to the DALI bus network for ease of installation when using Luxonic's DALI Wiring System.

Product Features and Connectivity:

- 30m detection range at 2.8m ceiling height - Adjustable
- Active infra-red control
- Programmable using Luxlink Ethernet2dali and DALI Software
- Can be supplied with cable and plug for connection to Luxonic modular wiring system
- A co-operative sensor for communication with other same group sensors in open plan applications
- Intermediate dim level prior to off or programmable for "off to dim" for call centre type applications



Installation Notes:

- All cabling must be rated at 230V
- Do not install the sensor within 1m of lighting, ventilation or heating equipment
- Do not install sensor on an unstable or vibrating surface
- Moving metal surfaces will trigger the sensor

Application:

This sensor is ideal for use as part of Luxlink DALI Lighting Management System in projects where automated or semi automatic control of lighting is required in deep space areas or areas that do not require constant light control. Ideally suited for projects where the building owner/occupier requires the ability to reconfigure the system according to their changing environment without 3rd party commissioning. Provides long range coverage for corridor applications.

All Luxlink DALI field control devices are available with cable and modular wiring plug system assembly for network connection at the nearest Luxonic Luminaire when a Luxlink DALI modular wiring system is being installed.

Family Products (Network based):

Link/DaliMS	Luxlink DALI Multi-Sensor
Link/DaliSSmk2	Luxlink DALI Switching Sensor
Link/DaliCMMS	Luxlink DALI Ceiling Mounted Microwave Sensor
Link/DaliIRC	Luxlink DALI IR Controller
Link/DaliMIU	Luxlink DALI Mini Input Unit
Link/DaliSP	Luxlink DALI Scene Panel, 4-Scene

Data subject to change without notice, E & OE, Revision A – 08/06/2016



LUXLINK[®] DALI Tilting Microwave Sensor

Part Number – Link/DaliTCMMW

Technical Data

Connection

DALI: Removable connector with terminals 0.5mm² – 2.5mm², solid or stranded
All Cables must be mains rated

Power

DALI Supply: 13V – 22V from DALI PSU
DALI Consumption: 40mA (2mA with External Power Option below)

External Power Option

Supply: 12V – 24V, 0.5W

Operating Conditions

Ambient Temp: 0...35°C
Relative Humidity: 95% Max. non-condensing
Storage Temp: -10...+70 °C

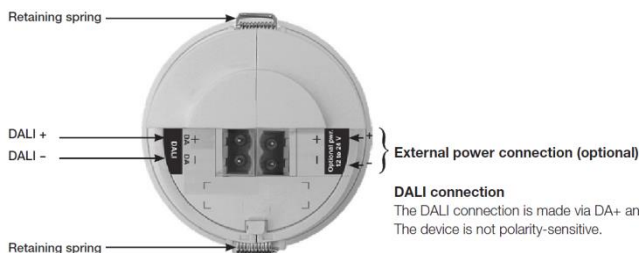
Mechanical Data

Finish: Satin white plastic
Weight: 124g
Material: Non flammable ABS

Conformity

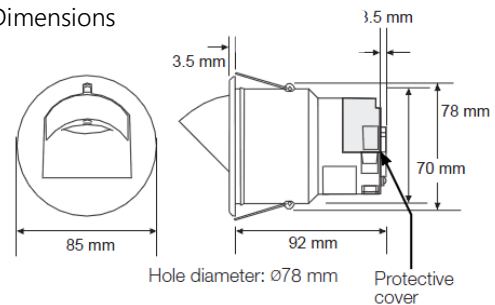
EMC: Immunity: EN 61000-6-1
Emissions: EN 61000-6-3
Safety: EN 60730-1
IP Rating: IP30
Environment: Complies with WEEE & RoHS Directives

Connections

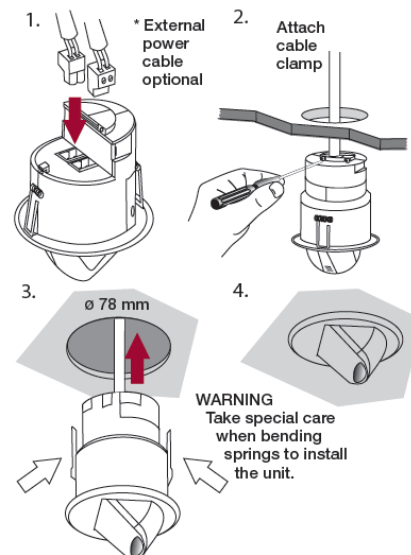


DALI connection
The DALI connection is made via DA+ and DA- terminals.
The device is not polarity-sensitive.

Dimensions



Installation



Detection Pattern

