



Luxlink[®] DALI Multi-Sensor 'Mini'

Part Number – Link/DaliMSM

The Luxlink DALI Multi-Sensor 'Mini' is a luminaire based sensor containing Passive Infra-Red Detector, Light Sensor and Active Infra-Red Receiver elements to provide a wide array of sensor functional profiles. These include presence/absence sensing, constant light and IR control for automated, semi-automated and comfort control for energy savings and the full utilisation of the installed lighting scheme that includes DALI HF ballasts and load interface units

The sensor offers the full Luxlink DALI functionality options to include On, Off, "Go To Scene", "Touch" control for push-to-make switching & dimming and much more. This sensor is suitable for use with DALI HF ballasts and Load Interface Units designed to DALI open standard protocol. The sensor is mounted in luminaire or a suitable enclosure

Product Features and Connectivity:

- Small, compact design, 25mm (W) x 55mm (L) x 28mm (D) to front face (20mm into recess)
- Three separate elements that can be individually enabled
- Walk-test feature
- Clip-On PIR Restrictor
- Clip on Facia
- Programmable using Luxlink DALI Software
- A co-operative sensor for communication with other same group sensors in open plan applications
- Intermediate dim level prior to off or programmable for "off to dim" for call centre type applications
- Suitable for used with the Luxlink DALI IR Controller



Installation Notes:

- All cabling must be rated at 230V
- Mountable from Inside/Outside the luminaire or on a Louvre
- Isolate mains before installation

Application:

This product is ideally suited to applications where limitations are imposed on product fixing to ceiling surfaces, as an example in period building refurbishments or perhaps the underside of a chilled beams where products such as sensors dropping down from the chilled beam spoil the aesthetic appearance of the beam. Because of the products discreet size the sensor can easily be fitted into many types of luminaire systems for commercial, education and retail type applications.

Family Products (Network based):

Link/DaliIRC	Luxlink DALI IR Controller
Link/DaliMIU	Luxlink DALI Mini Input Unit
Link/DaliSP	Luxlink DALI Scene Panel, 4-Scene

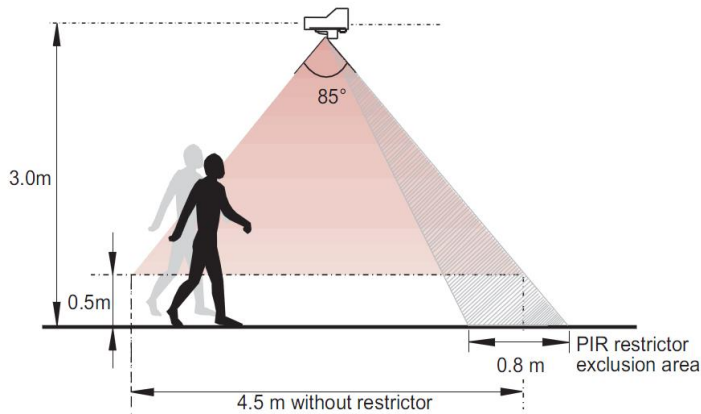
Data subject to change without notice, E & OE, Revision D – 08/06/2016



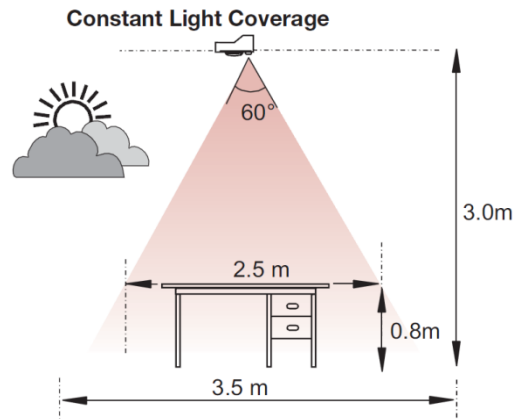
Luxlink[®] DALI Multi-Sensor 'Mini'

Part Number – Link/DaliMSM

PIR Coverage



Constant Light Coverage



Technical Data

Connection

DALI: 0.5mm² – 1.5mm² solid or stranded, stripped 9mm

Power

DALI Supply: From DALI Power Supply Unit elsewhere in the system

DALI Consumption: 10mA

Operating Conditions

Ambient Temp: 0...50°C

Relative Humidity: 90% Max. non-condensing

Storage Temp: -25...+75 °C

Mechanical Data

Housing: Non Flammable ABS (UL94-V0 & UV resistant)

Dimensions: 55mm (L) x 25mm (W) x 20mm (D) without Fascia

58mm (L) x 28.5mm (W) x 21.4mm (D) with Fascia

Weight: 15g

Conformity

DALI: According to DALI standard with Proprietary extensions

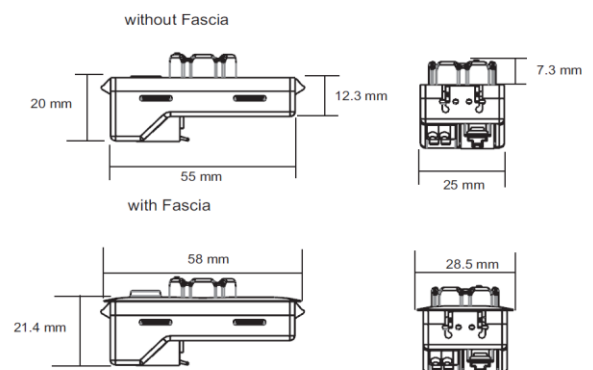
EMC: Emission EN55 015, Immunity EN61 547

Safety: EN61 347-2-11

Isolation: double isolated

Environment: Complies with WEEE and RoHS Directives

Dimensions



Connections

