



## LUXLINK<sup>®</sup> DALI Blind Controller

### Part Number – Link/DaliBC

The Luxlink DALI Blind Controller is a din-rail mounted, panel based load interface unit installed at the electrical distribution cupboard. The product offers 2-addressable channels of volt-free relay pairs for control of up to 2 blind or curtain motors via Luxlink DALI Scene Panels or switches as part of a Luxlink DALI Lighting Management System. This product is ideal for controlling curtains or blinds in meeting rooms or offices and can be connected to external systems via a Luxlink DALI Audio Visual Interface

Like DALI HF ballasts, the blind controller relay pairs can be programmed to exist in up to 16-groups for scene recall, i.e. Up, Down, Open or Close

#### Product Features and Connectivity:

- Up/Down or Open/Close modes in a break before make manner to prevent motor damage
- Each relay is internally isolated and can be connected to a separate mains phase
- Programmable via the Luxlink DALI Software
- Din-rail mounted
- Small, compact size



#### Installation Notes:

- The Blind Controller is suitable for use with motors up to 550W
- The external mains supply to the unit must be protected. It is recommended that a 6A MCB is used
- All cabling must be rated at 230V

#### Application:

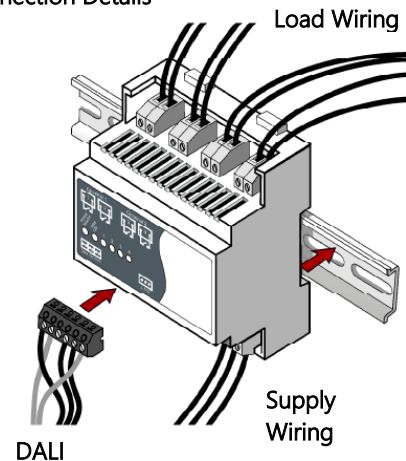
This product is ideal for comfort control of blinds in offices and meeting rooms and is ideal for recall of scenes to suit the room use, i.e. Privacy scene, presentation scene, normal use scenes, etc.

#### Family Products (Distribution cupboard based):

- Link/DaliDSI/1-10V Luxlink DALI to DSI/1-10V Converter, Din Rail Mounted
- Link/DaliRM Luxlink DALI Relay Module, Din Rail Mounted
- Link/DaliSolaC Luxlink DALI Solatube Controller, Din Rail Mounted

Custom made panels to include 3-phase isolator, switchgear, contactors and the above products can be custom built to order

#### Connection Details



Data subject to change without notice, E & OE, Revision C – 09/06/2016



## LUXLINK<sup>®</sup> DALI Blind Controller

### Part Number – Link/DaliBC

#### Technical Data

##### Relay Loads (Max.)

Motor Load: 550W Max.

##### Connection

DALI: Standard Luxlink DALI removable connector with paired terminals 0.5mm<sup>2</sup> – 2.5mm<sup>2</sup> solid or stranded

Mains: Up to 4mm<sup>2</sup> solid core or up to 2.5mm<sup>2</sup> stranded

Note: If equipment is used in an electrically noisy environment the DALI cable should be screened and connected to the earth

##### Power

Mains Supply: 220-240 VAC, 50-60Hz

DALI Supply Output: None

DALI Consumption: 2mA

##### Operating Conditions

Ambient Temp: 0...40°C

Relative Humidity: 90% Max. non-condensing

Storage Temp: -10...+70 °C

##### Mechanical Data

Housing: Din-rail case 88mm wide

Weight: 300g

##### Conformity

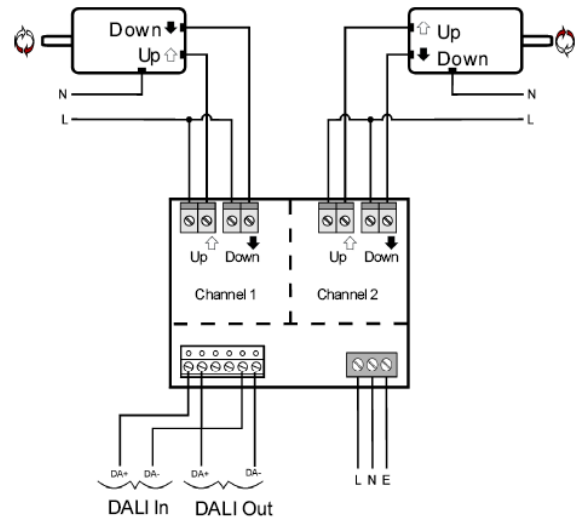
EMC: Emission EN55015, Immunity EN61547

Safety: EN60950

IP Rating: IP30

Isolation: 4kV

#### Connections



#### Dimensions

